



Silo with sliding frame



Reliable and robust, AKIS offers frame silos which make it possible to store all types of products and extract them in the greatest simplicity in an efficient way.

Availability - Quickness - Efficiency

AKIS offers complete solutions with a wide range of machines for the treatment of water and waste.

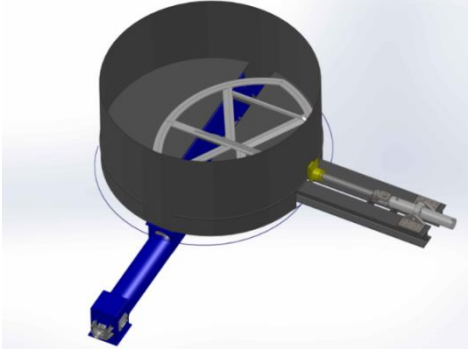


1, Rue George Sand
37000 Tours – France

Tel: +33 (0)2 47 74 17 00
Fax: +33 (0)2 47 74 17 01

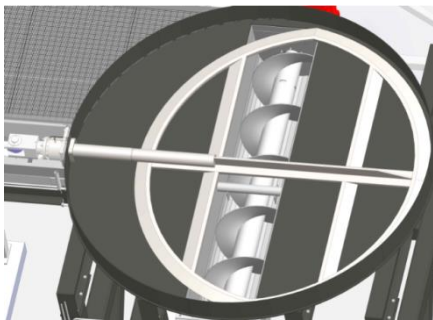
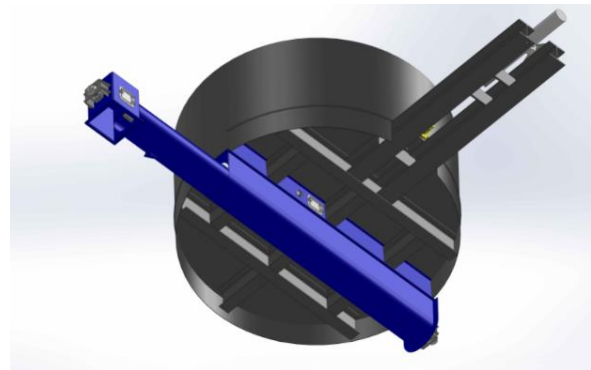
Web: www.akis.fr
Email: info@akis.fr

Sliding frame silo For circular or rectangular silo



A silo with sliding frame is a silo with, for extraction system, a sliding frame. The bottom of the silo consists of a moving frame that will convey the product to an extraction screw.

The frame will scrape the entire bottom of the silo according to the principle: FIFO "first in, first out". The movement of the frame prevents a creation of a bridge of material.



This system can be used with products such as dewatered sludge, dried sludge, wood chips, dried wood, and bulk material or product. The screw is able to handle big capacities.

The contents can be directly discharged in containers, or in trucks.

This system is available for circular silos but also for rectangular silos.

